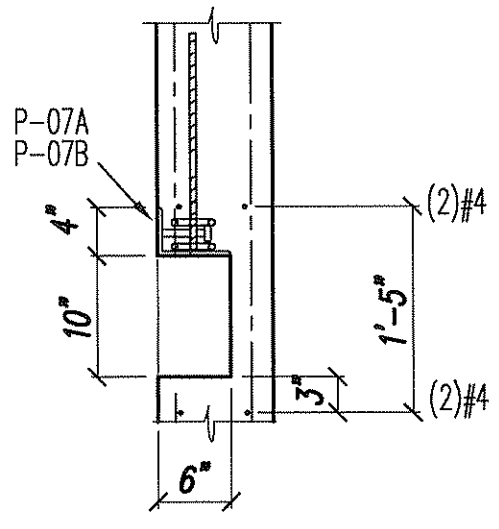


SECTION AA



SECTION BB

ISSUED: 08/07/08 REVISED:



STANDARD DESCRIPTION:

Typical Wall Panel - Spandrel Support

DETAIL NO.:

D60

## 1/2" PANEL JOINT

PRECAST PANELS

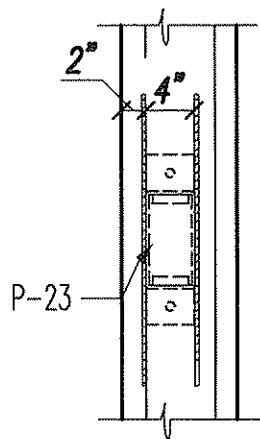
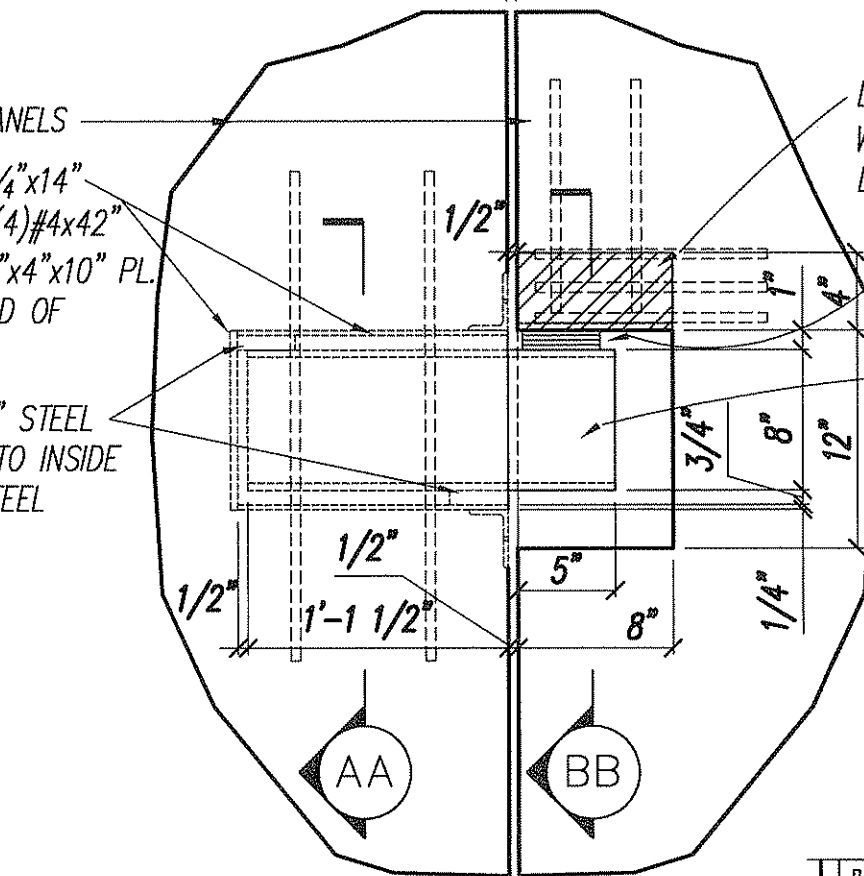
T.S. 10"x4"x1/4"x14"  
(SLEEVE) W/(4)#4x42"  
REBAR & 1/4"x4"x10" PL.  
WELD TO END OF  
TUBE STEEL.

(2)3"x3"x3/4" STEEL  
BAR WELD TO INSIDE  
OF TUBE STEEL  
SLEEVE.

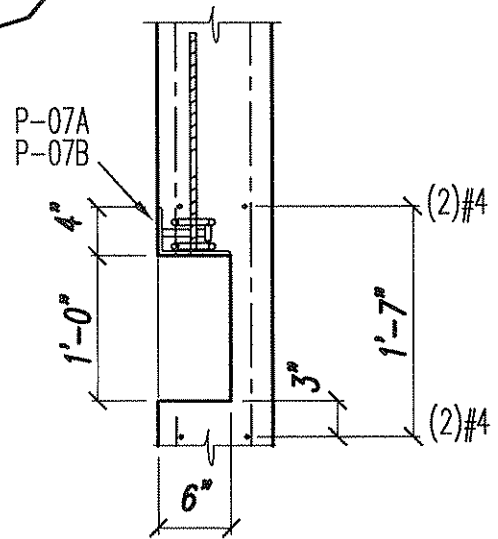
L4"x6"x1/2"x0'-8"  
W/(2)1/2"DIA.x18"  
DEFORMED BARS

4"x4" STL. SHIM  
STACKS AS REQUIRED

T.S. 8"x3"x3/8"x19"  
(HANGER)



SECTION AA



SECTION BB

ISSUED: 08/07/08 REVISED:



STANDARD DESCRIPTION:

Heavy Duty Wall Panel - Spandrel Support

DETAIL NO.:

D61