

ISSUED: 08/07/08

REVISED:

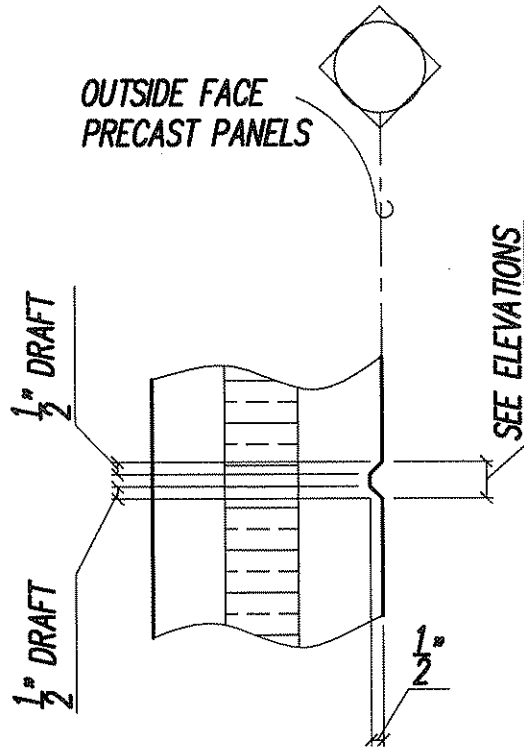


STANDARD DESCRIPTION:

False Joint

DETAIL NO.:

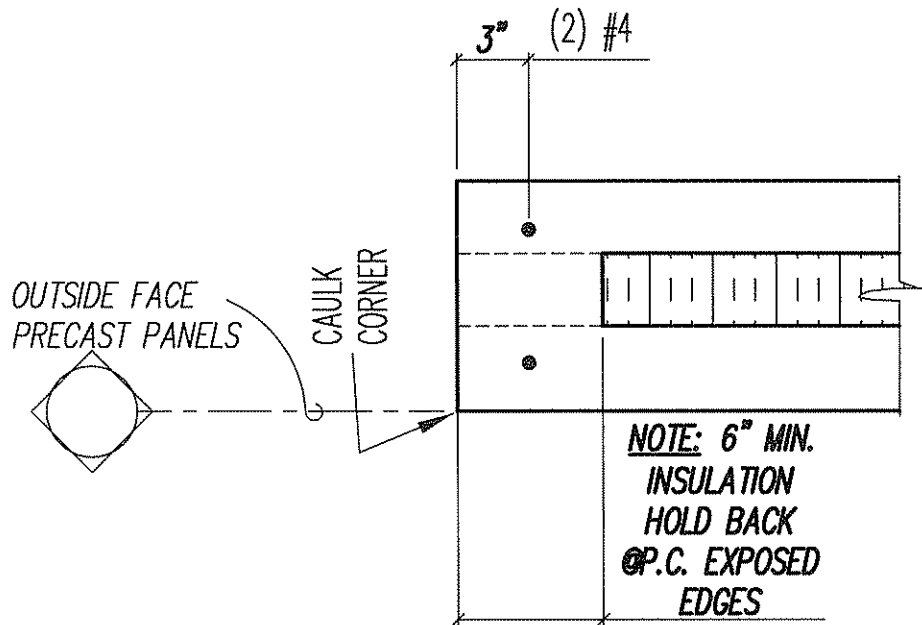
D65



ISSUED: *08/07/08* | REVISED: 

STANDARD DESCRIPTION:  
*Vertical / Horizontal Reveal*

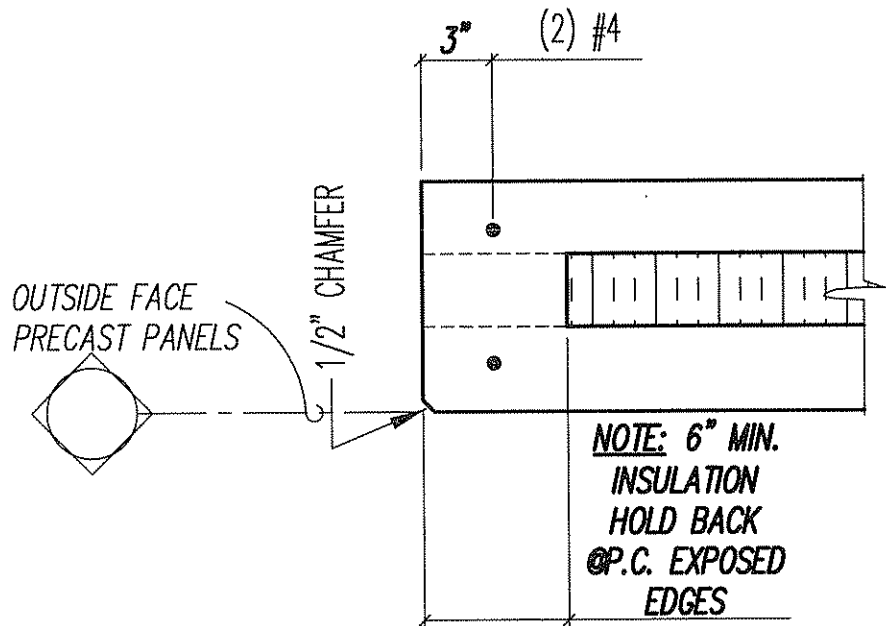
DETAIL NO.:  
**D66**



ISSUED: **08/07/08** | REVISED: 

STANDARD DESCRIPTION:  
*Caulk Corner at Opening*

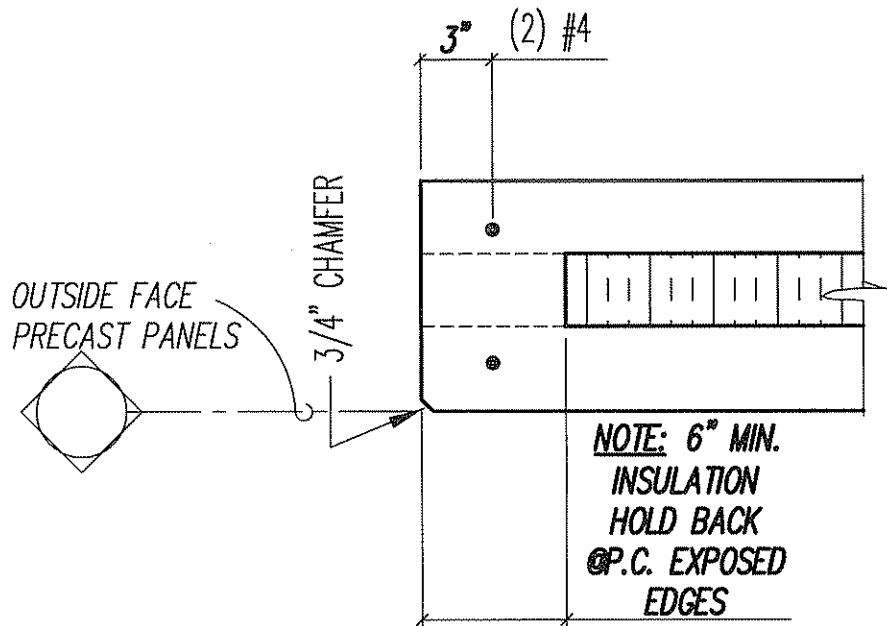
DETAIL NO.:  
**D67**



ISSUED: 08/07/08 REVISION: 

STANDARD DESCRIPTION:  
*1/2" Edge Chamfer at Opening*

DETAIL NO.:  
**D68**

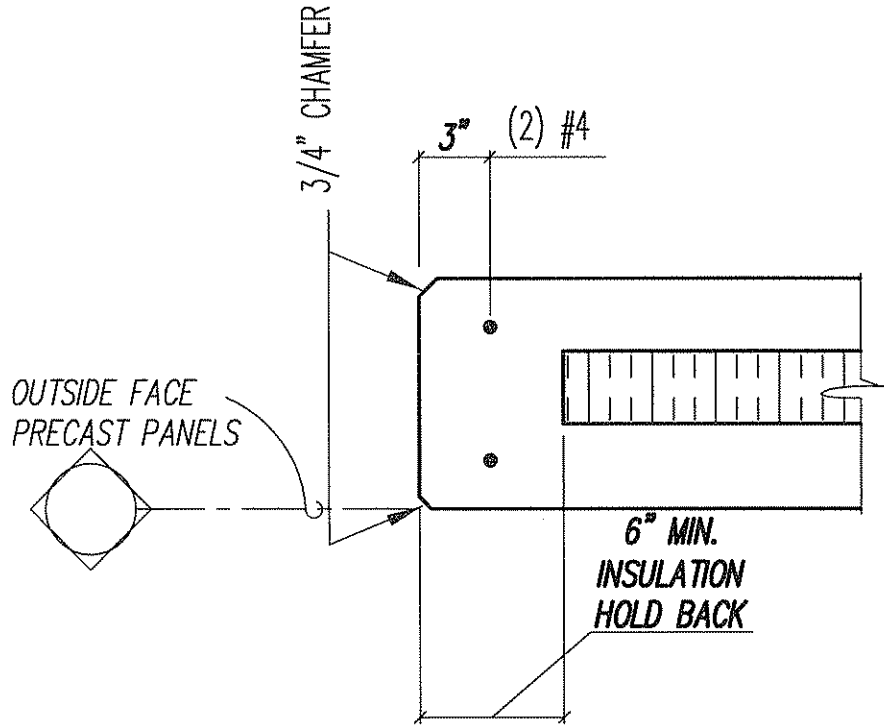


ISSUED: 08/07/08 REVISED:



STANDARD DESCRIPTION:  
*3/4" Edge Chamfer at Opening*

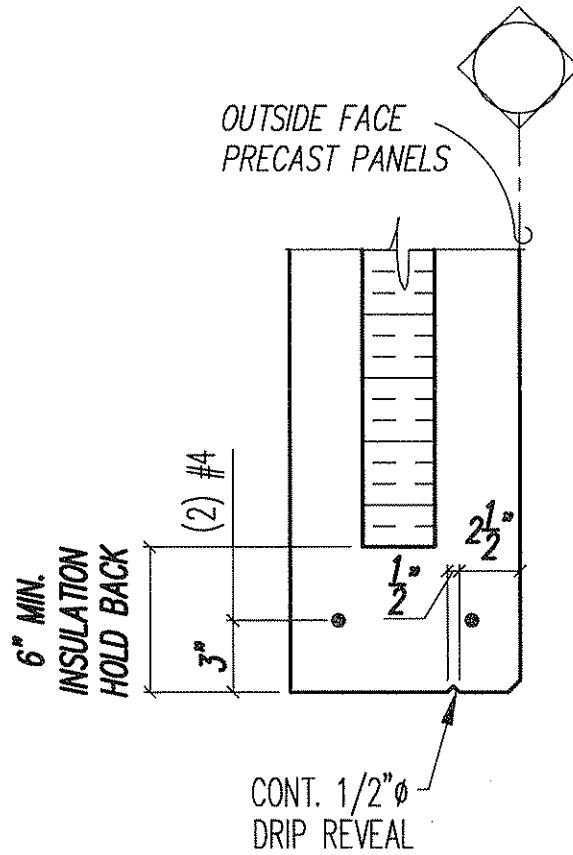
DETAIL NO.:  
**D69**



ISSUED: 08/07/08 REVISION: 

STANDARD DESCRIPTION:  
*3/4" Chamfer on Both Faces at Butt Corner*

DETAIL NO.:  
**D70**



ISSUED: 08/07/08 REVISED:

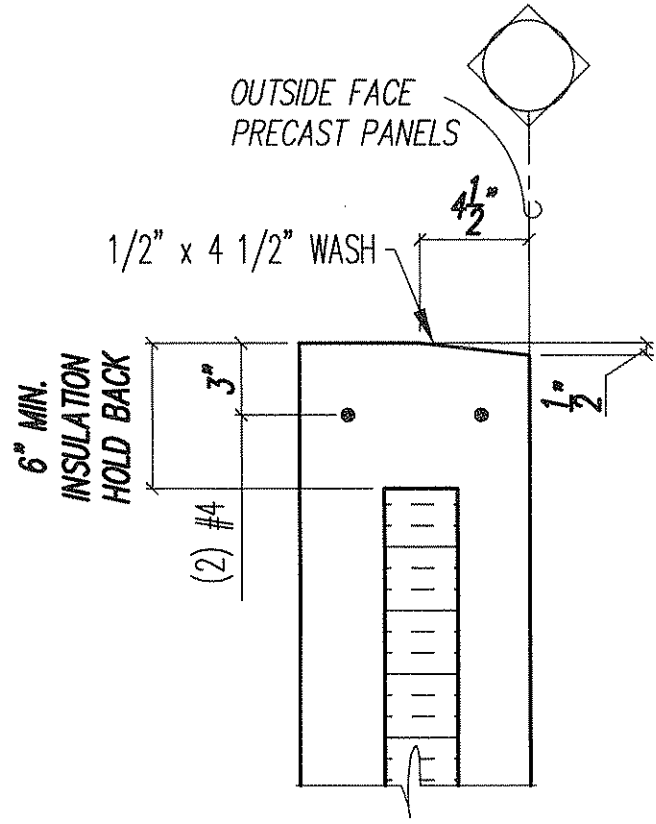


STANDARD DESCRIPTION:

*Continuous Drip Reveal at Opening Head*

DETAIL NO.:

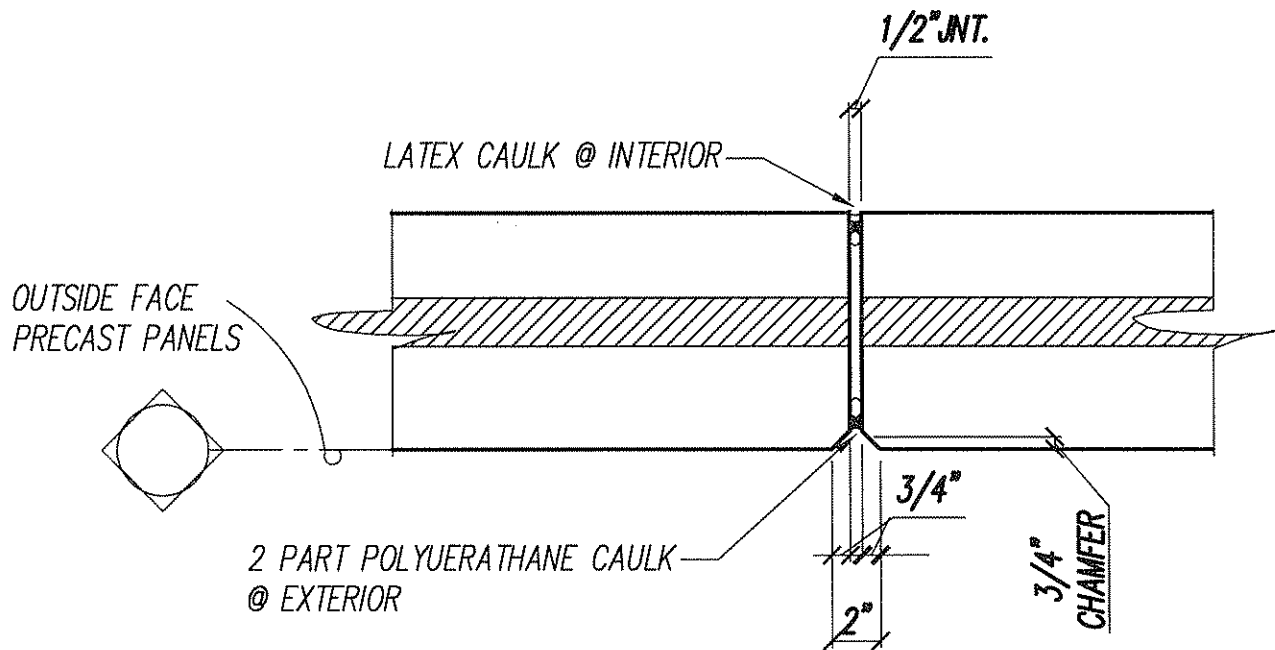
**D71**




ISSUED: 08/07/08 REVISION: 

STANDARD DESCRIPTION:  
*Typical Wash at Opening Sill*

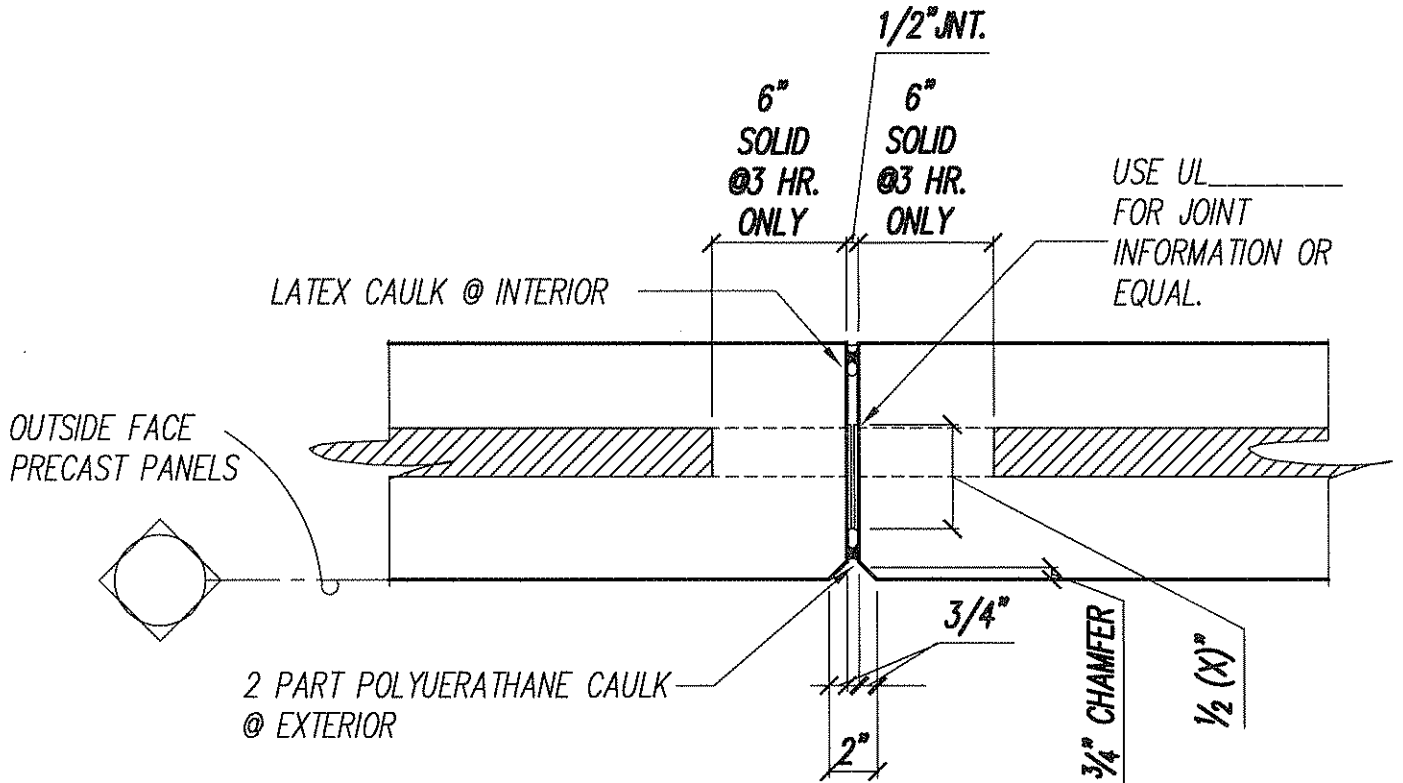
DETAIL NO.:  
**D72**



ISSUED: 08/22/08 REVISED: 

STANDARD DESCRIPTION:  
*Typical Panel Joint*

DETAIL NO.:  
**D73**



NOTE: UL-923 IS ATMI PRECAST'S APPROVED UL PANEL FOR 3 HOUR RATING.

ISSUED: 08/22/08 REVISED: 

STANDARD DESCRIPTION:  
*Typical Rated Panel Joint*

DETAIL NO.:  
**D74**