

FOUNDATION  
BY OTHERS:  
TYPICAL

NOTES:

- DEADMAN CONCRETE 2500 PSI MIN. @ TIME OF USE.
- DEADMAN IS SIZED ASSUMING CLAY W/  
MIN. ALLOWABLE BEARING STRESS OF 3000 PSF  
MIN. ALLOWABLE COHESION OF 750 PSF
- DO NO EXCAVATE WITHIN 6' OF DEADMAN TILL  
BRACES ARE REMOVED.
- BRACING IS DESIGNED FOR A SAFE WIND SPEED  
OF 55 MPH.

ISSUED: 08/07/08 REVISED:

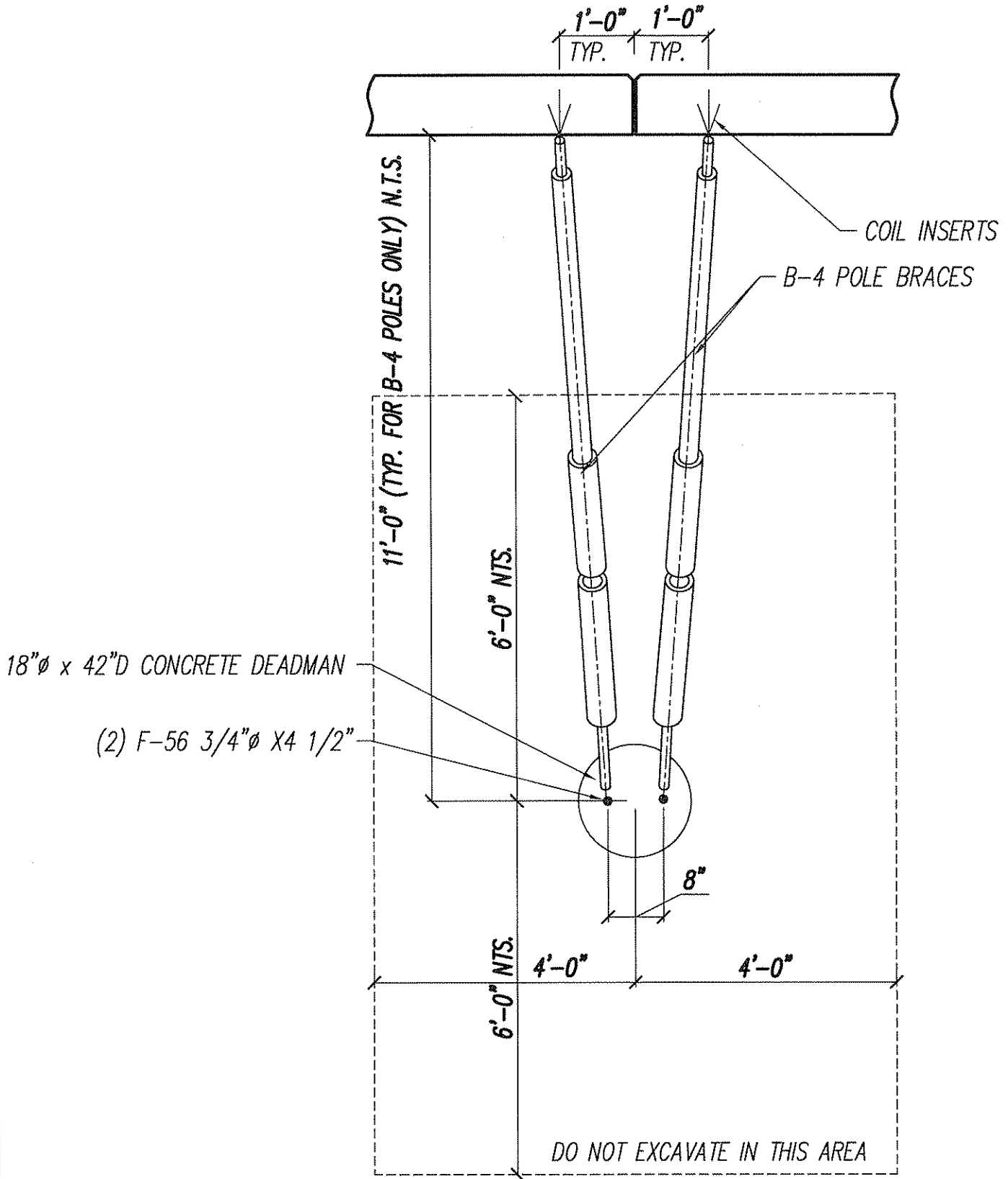


STANDARD DESCRIPTION:

Typical Pole Bracing Section for B-4 Braces

DETAIL NO.:

**D10**



ISSUED: 08/07/08

REVISED:

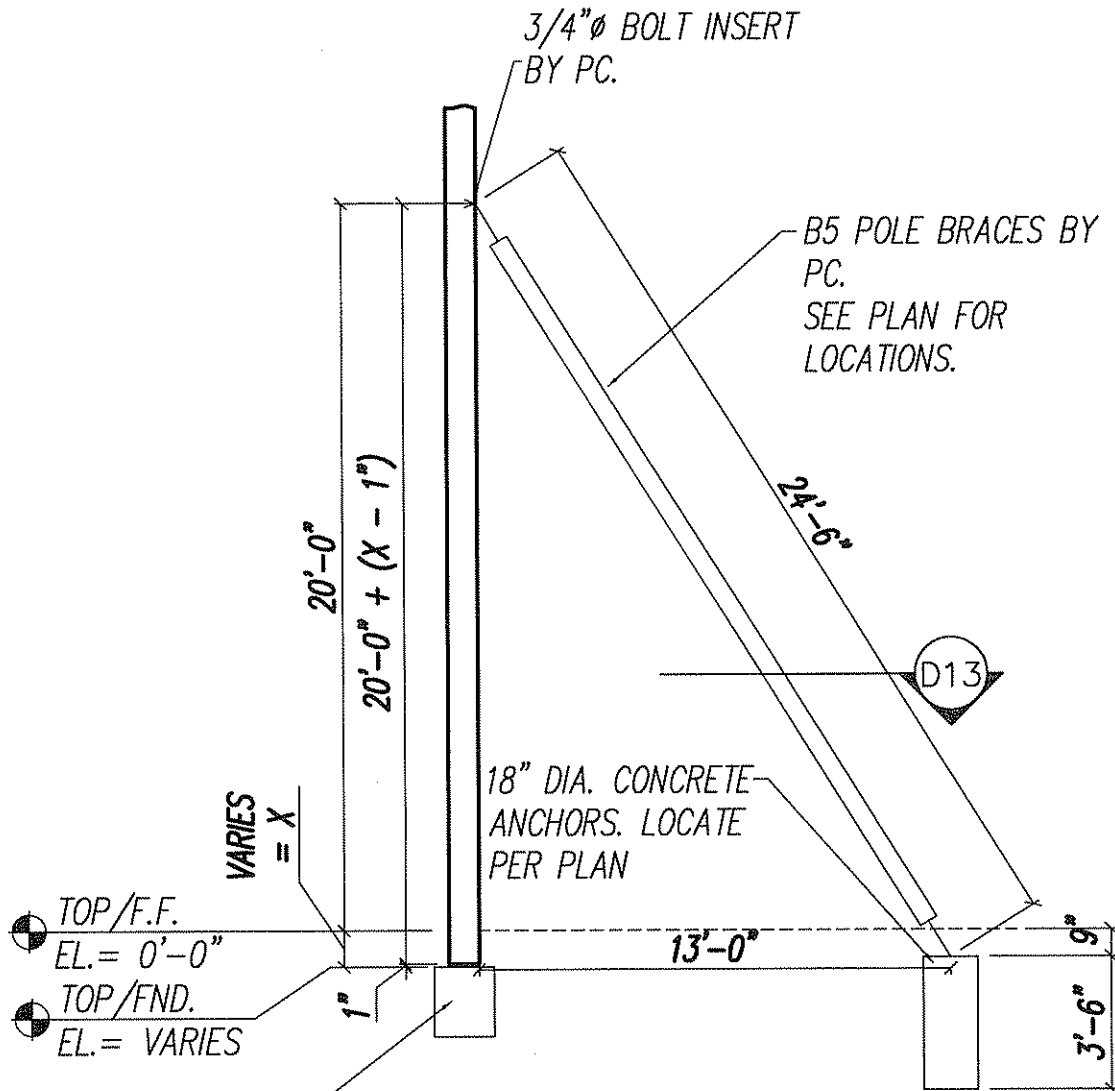


STANDARD DESCRIPTION:

Typical Pole Bracing Plan View for B-4 Braces

DETAIL NO.:

D11



FOUNDATION  
BY OTHERS.  
TYPICAL

**NOTES:**

- DEADMAN CONCRETE 2500 PSI MIN. @ TIME OF USE.
- DEADMAN IS SIZED ASSUMING CLAY W/  
MIN. ALLOWABLE BEARING STRESS OF 3000 PSF  
MIN. ALLOWABLE COHESION OF 750 PSF
- DO NO EXCAVATE WITHIN 6' OF DEADMAN TILL  
BRACES ARE REMOVED.
- BRACING IS DESIGNED FOR A SAFE WIND SPEED  
OF 55 MPH.

ISSUED: **08/07/08** REVISED:

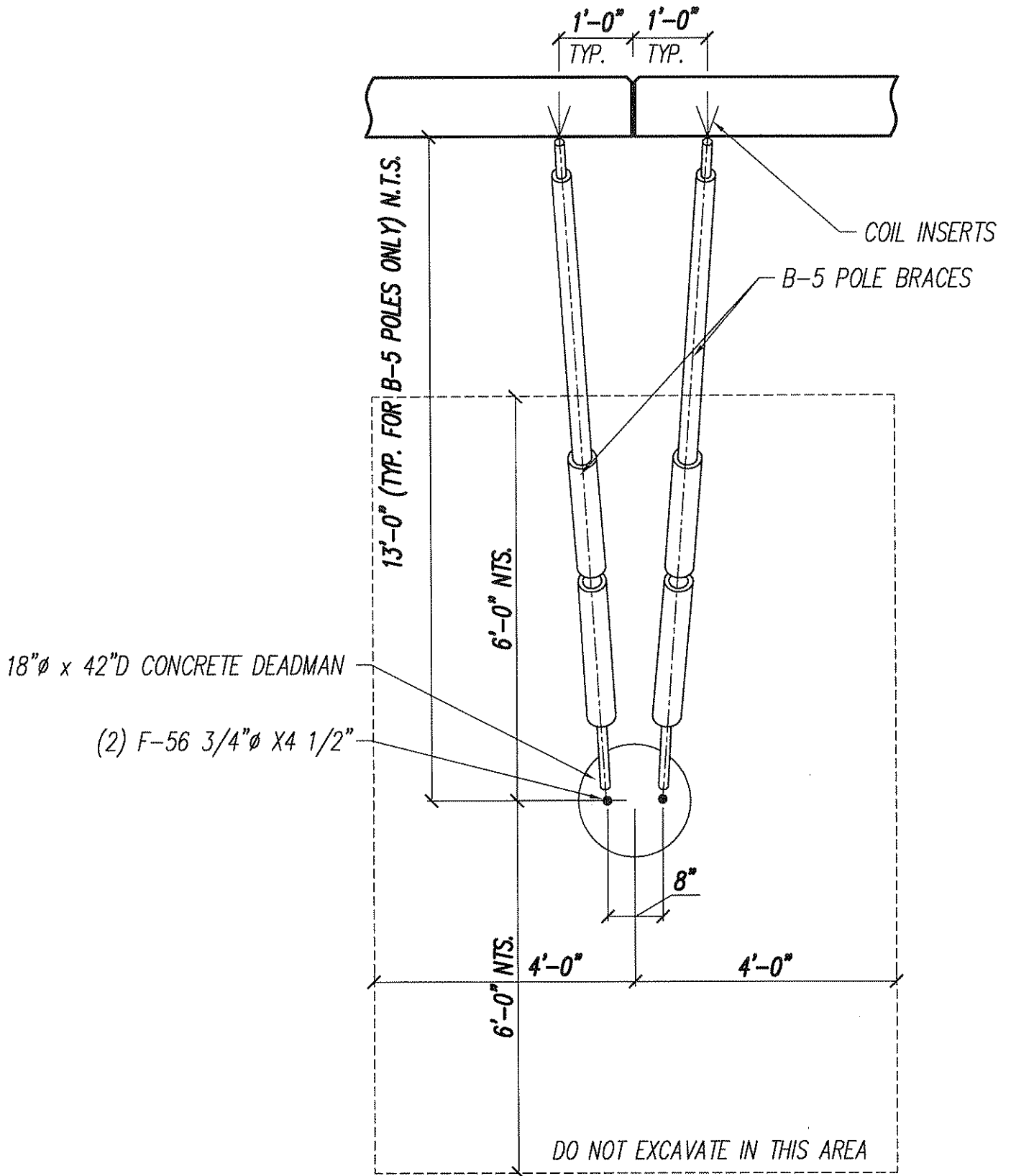


STANDARD DESCRIPTION:

*Typical Pole Bracing Section for B-5 Braces*

DETAIL NO.:

**D12**



ISSUED: 08/07/08 REVISED:

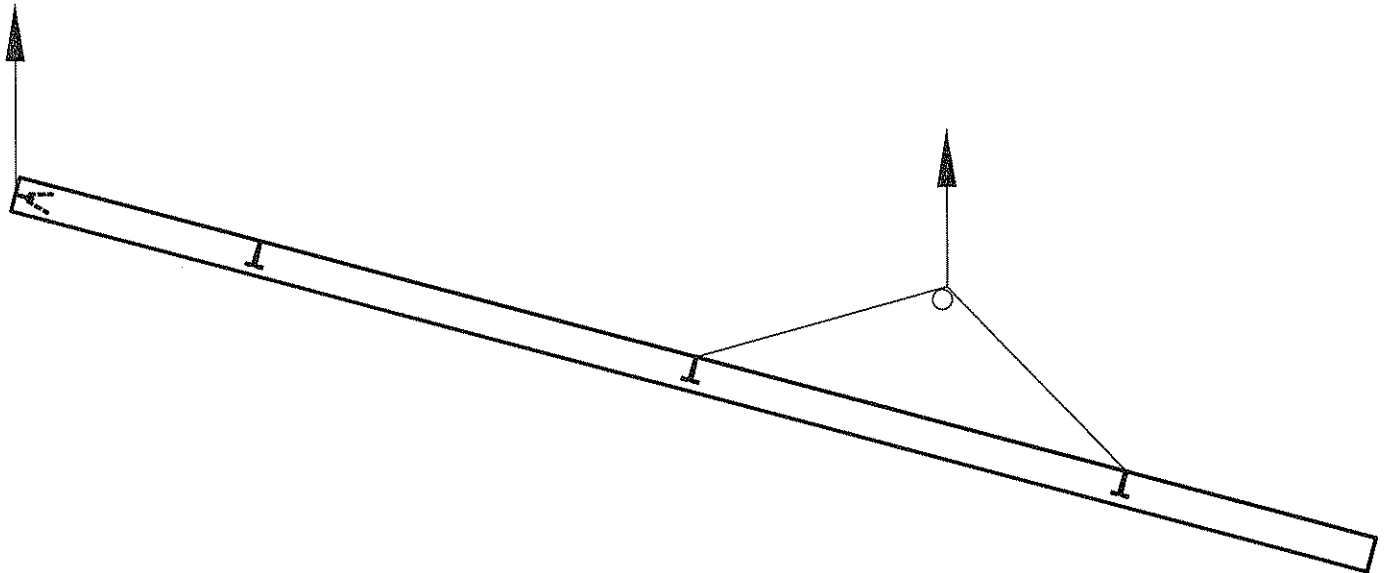


STANDARD DESCRIPTION:

Typical Pole Bracing Plan View for B-5 Braces

DETAIL NO.:

D13



ISSUED: **08/07/08** | REVISED:

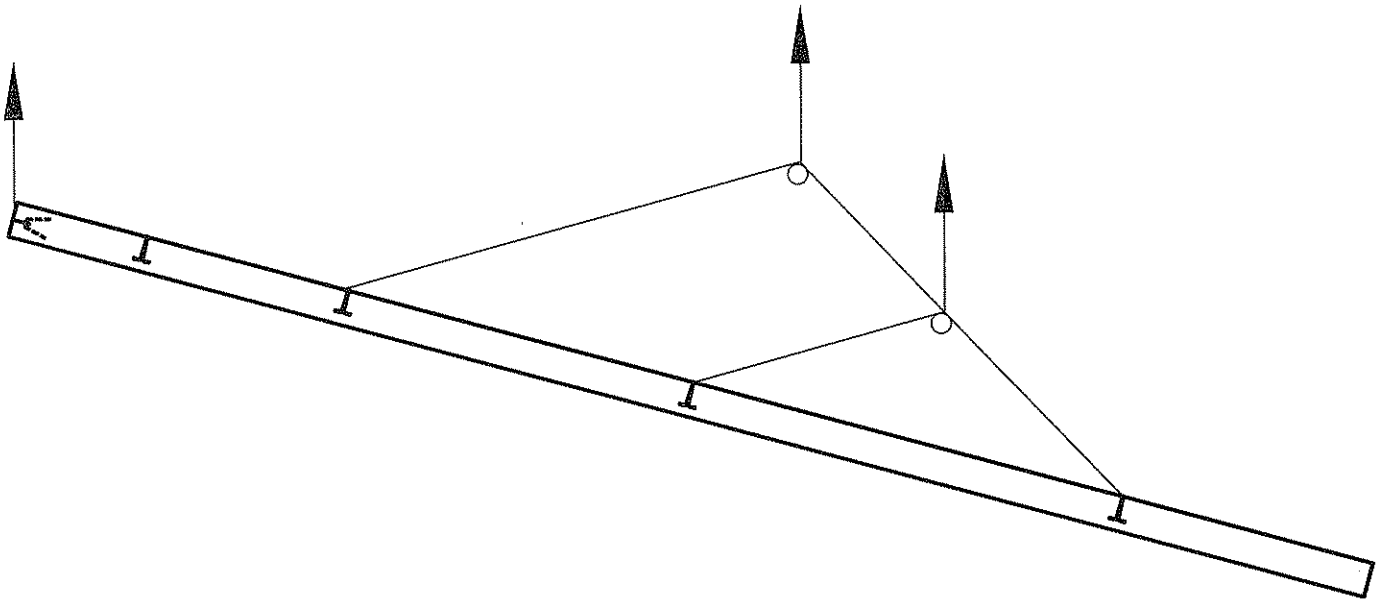


STANDARD DESCRIPTION:

*Erection Rigging for 6 Point Pick*

DETAIL NO.:

**D14**



ISSUED: 08/07/08 | REVISED:



STANDARD DESCRIPTION:  
*Erection Rigging for 8 Point Pick*

DETAIL NO.:  
**D15**