


NOTE: FOR PANEL ALIGNMENT ONLY. CONNECTION NOT REQUIRED.

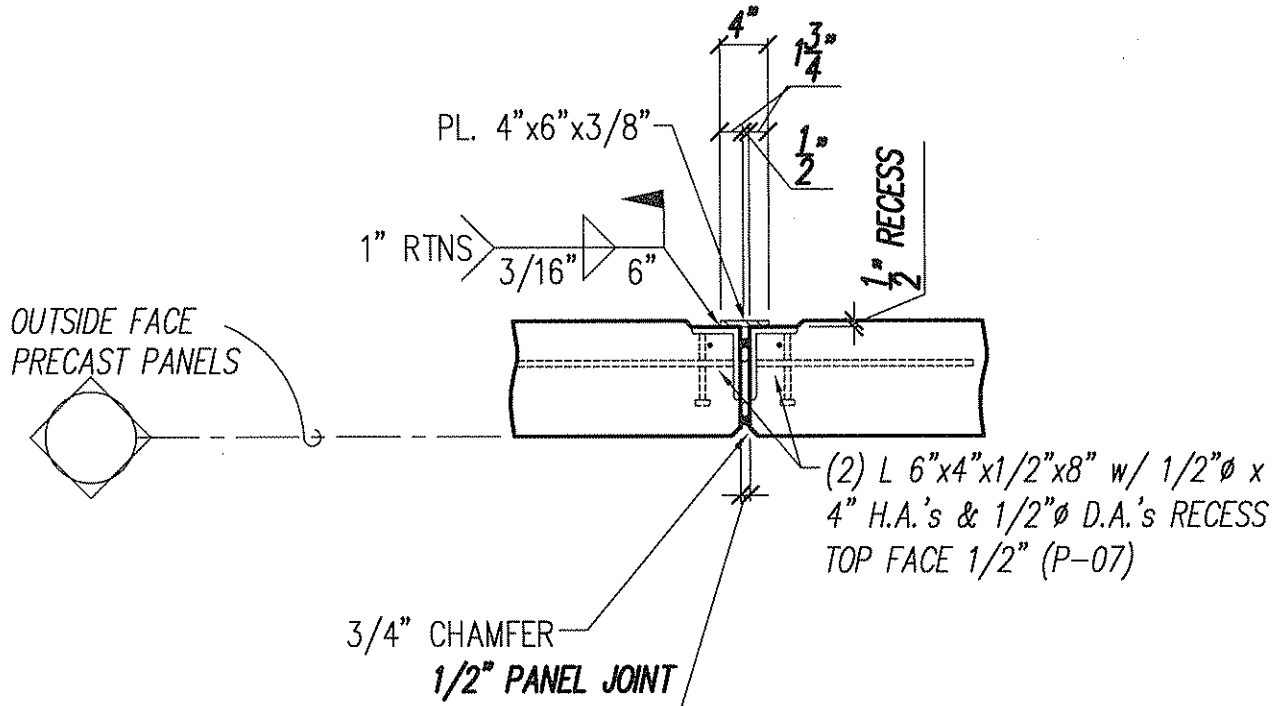
ISSUED: 08/22/08 REVISION: 

STANDARD DESCRIPTION:

Panel to Panel Mid point Alignment Connection

DETAIL NO.:

D45



ISSUED: 08/22/08

REVISED:

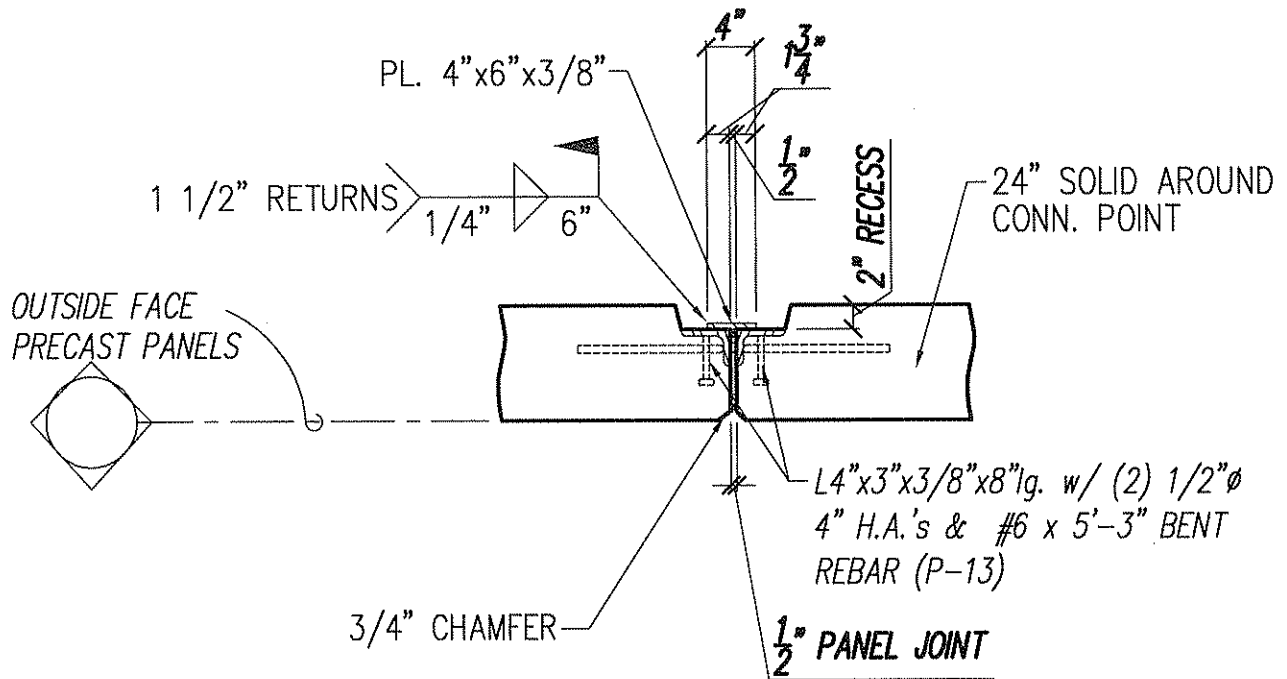


STANDARD DESCRIPTION:

Panel to Panel Critical Connection

DETAIL NO.:

D46



ISSUED: 08/22/08

REVISED:

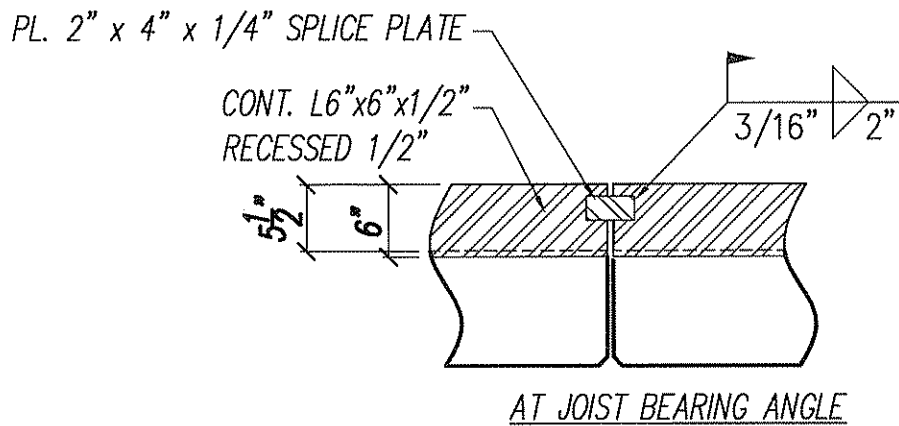
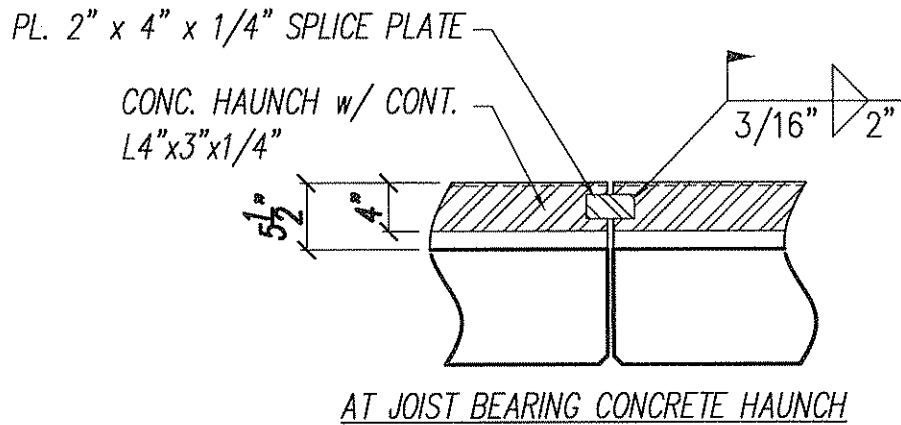
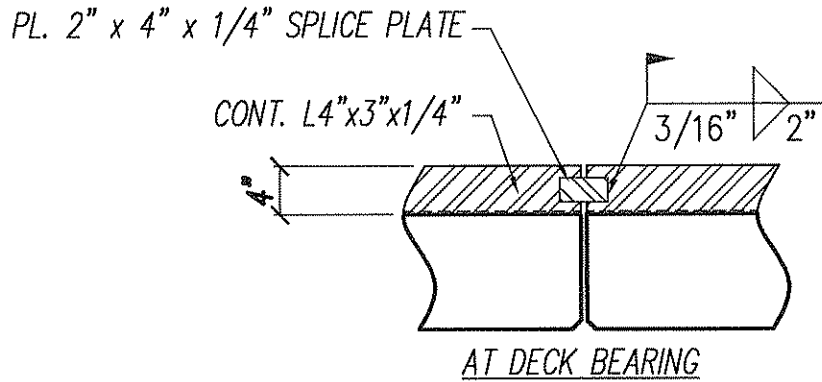


STANDARD DESCRIPTION:

Panel to Panel Shear Connection

DETAIL NO.:

D47



NOTE: ERECTOR TO SKIP EVERY 9TH PANEL JOINT.

ISSUED: 08/07/08 REVISED:



STANDARD DESCRIPTION:

Panel to Panel Top Alignment Connection

DETAIL NO.:

D48