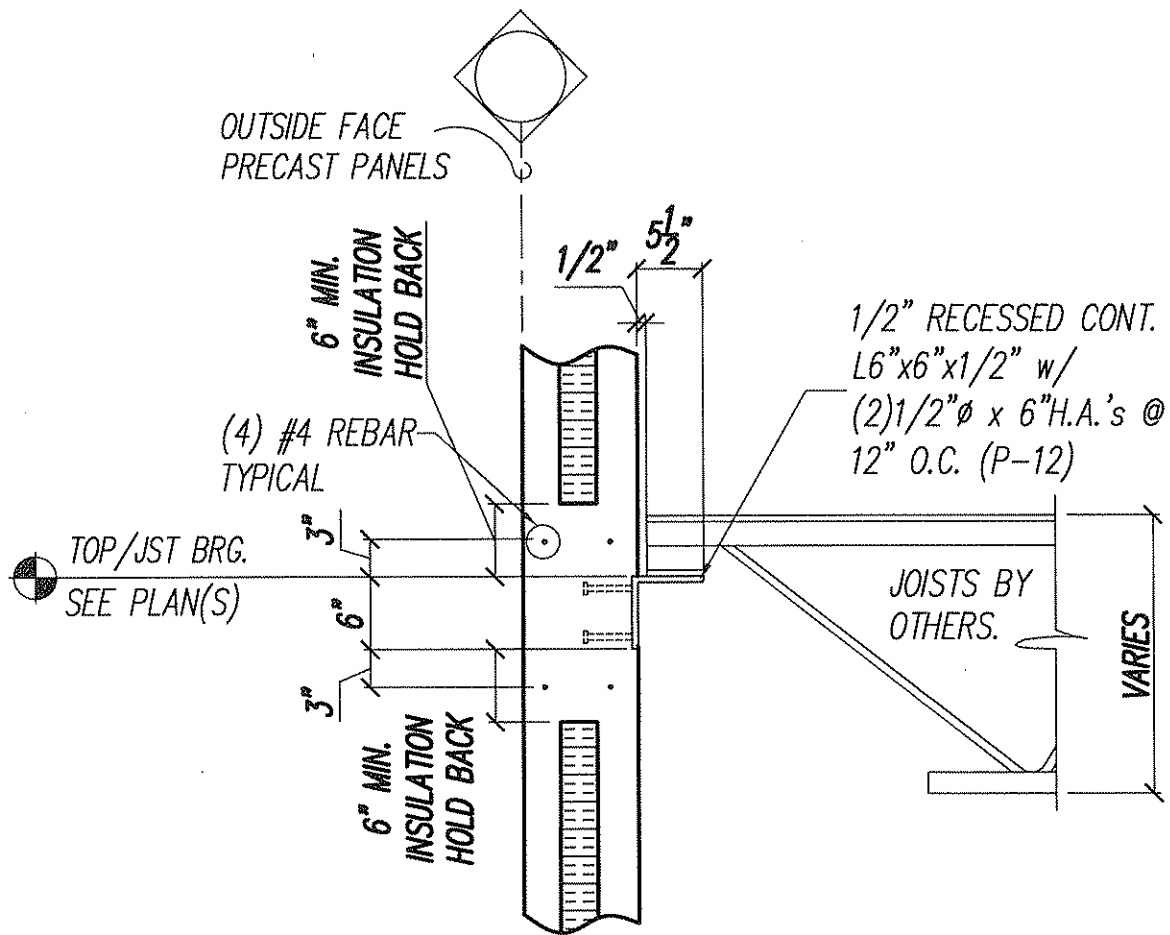


ISSUED: 08/07/08 REVISED: 

STANDARD DESCRIPTION:
Joist Bearing on Haunch at Inside Face

DETAIL NO.:
D35



ISSUED: 08/07/08 REVISED:

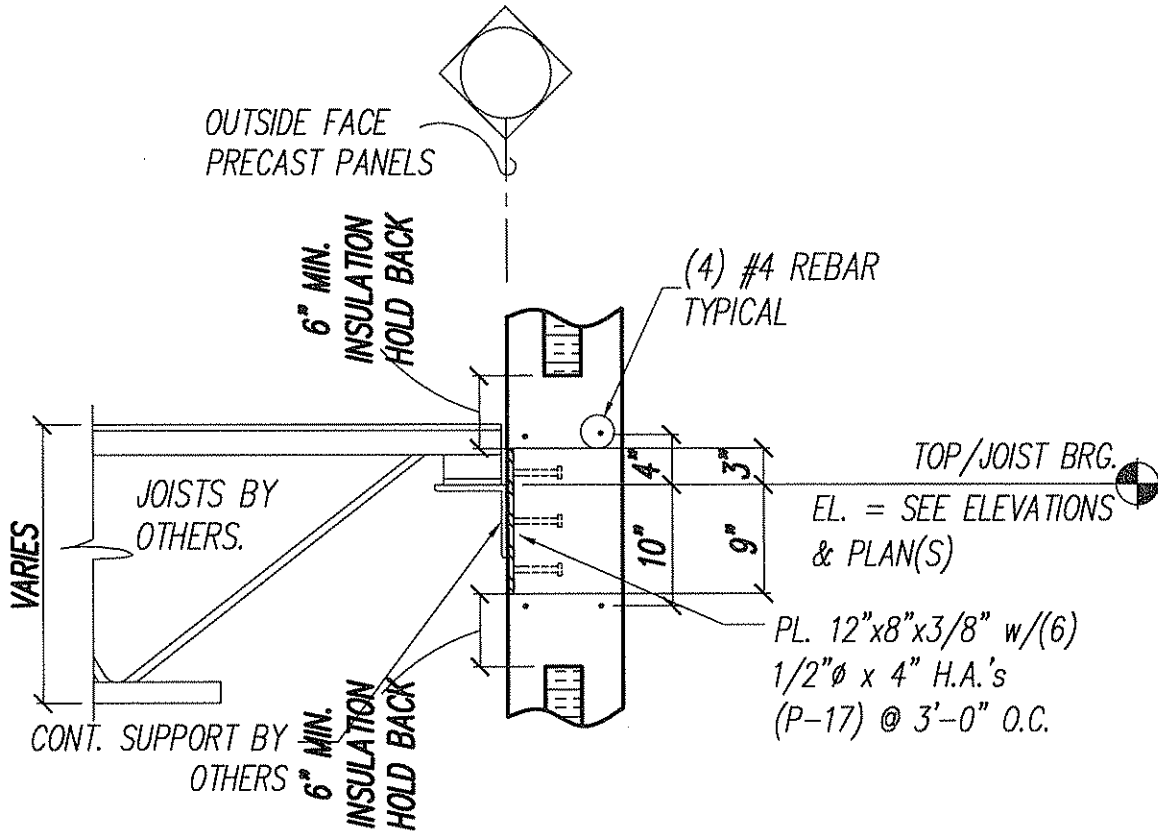


STANDARD DESCRIPTION:

Joist Bearing on Angle at Inside Face

DETAIL NO.:

D36



ISSUED: **08/07/08** | REVISED: 

STANDARD DESCRIPTION:
Joist Bearing at Outside Face

DETAIL NO.:
D37