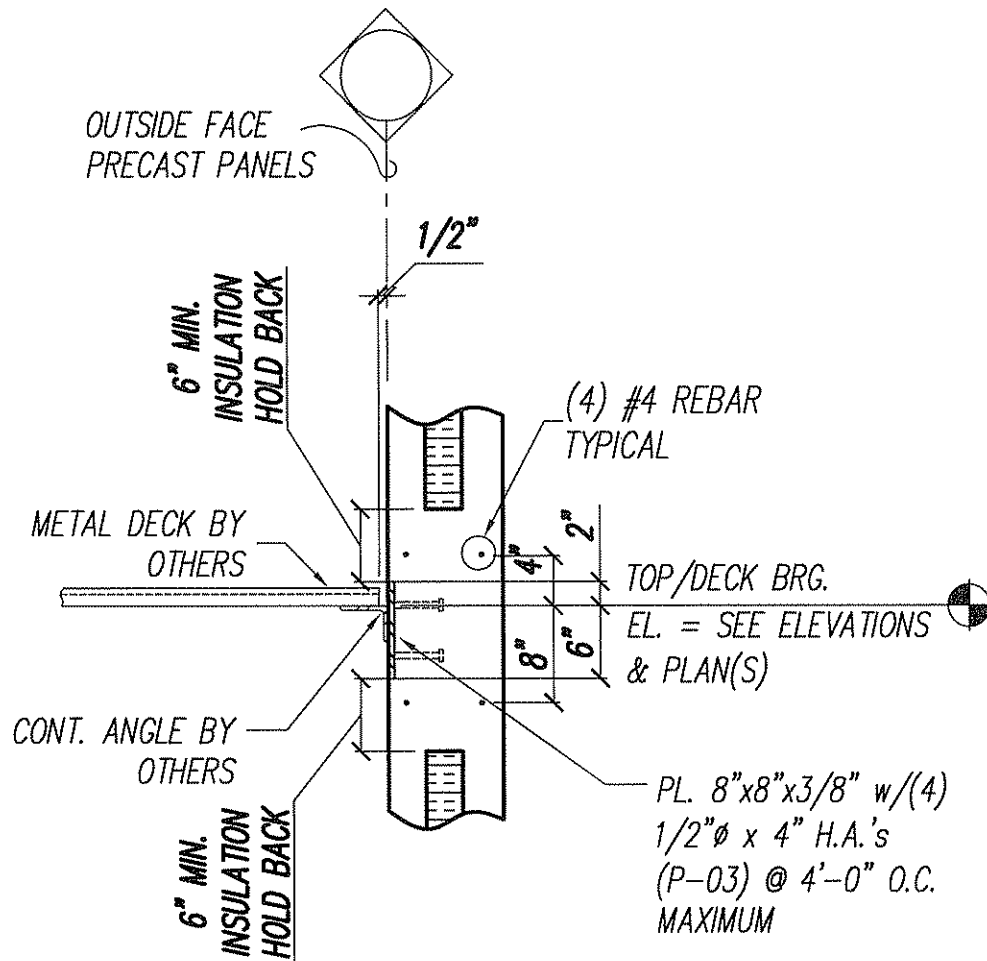


ISSUED: 08/07/08 REVISION: 

STANDARD DESCRIPTION:
Deck Bearing Angle at Inside Face

DETAIL NO.:
D40



ISSUED: 08/07/08 REVISED:



STANDARD DESCRIPTION:

Deck Bearing Plates at Outside Face

DETAIL NO.:

D41