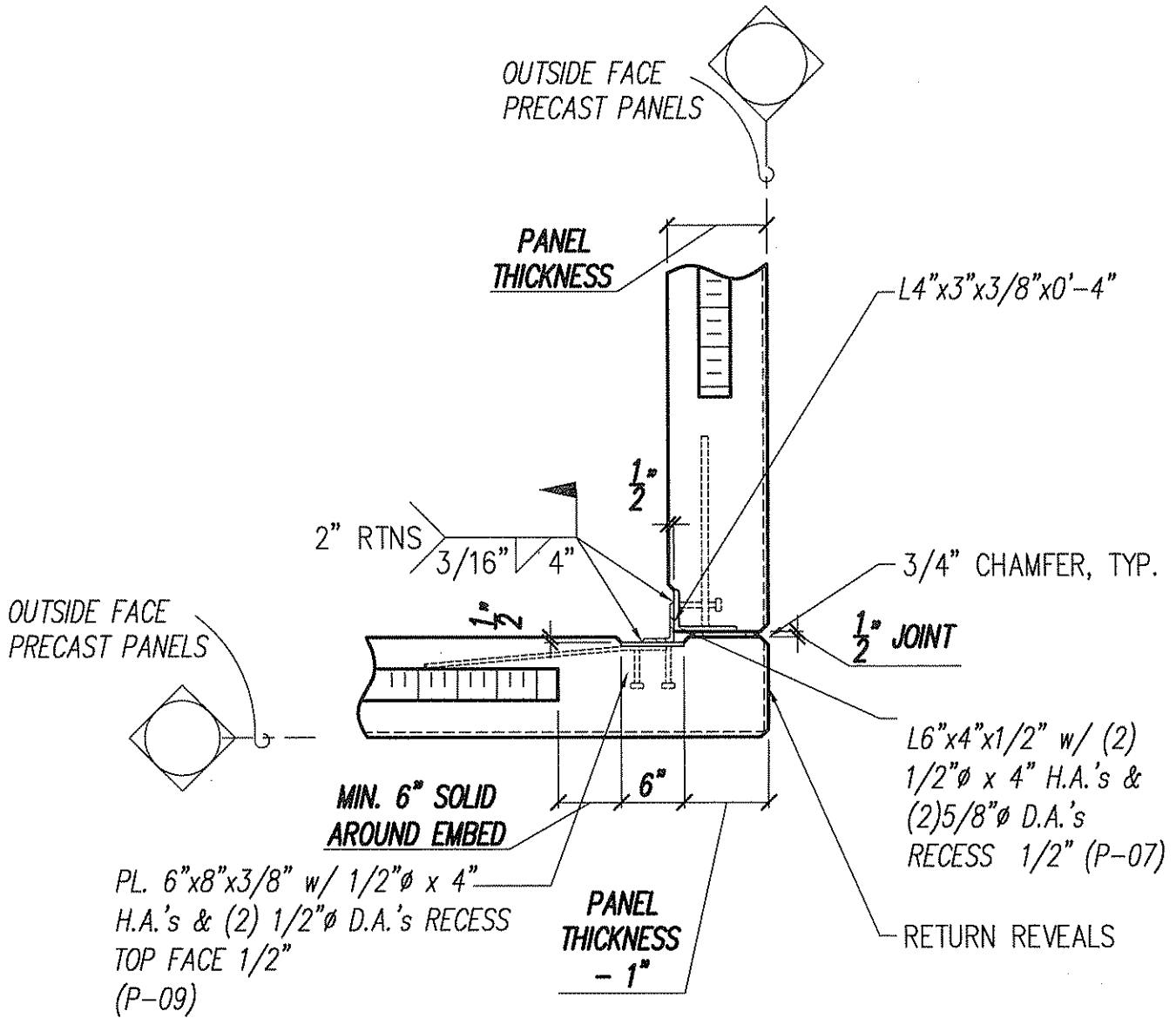


ISSUED: 08/22/08 REVISED:



STANDARD DESCRIPTION:
Mitered Corner Connection

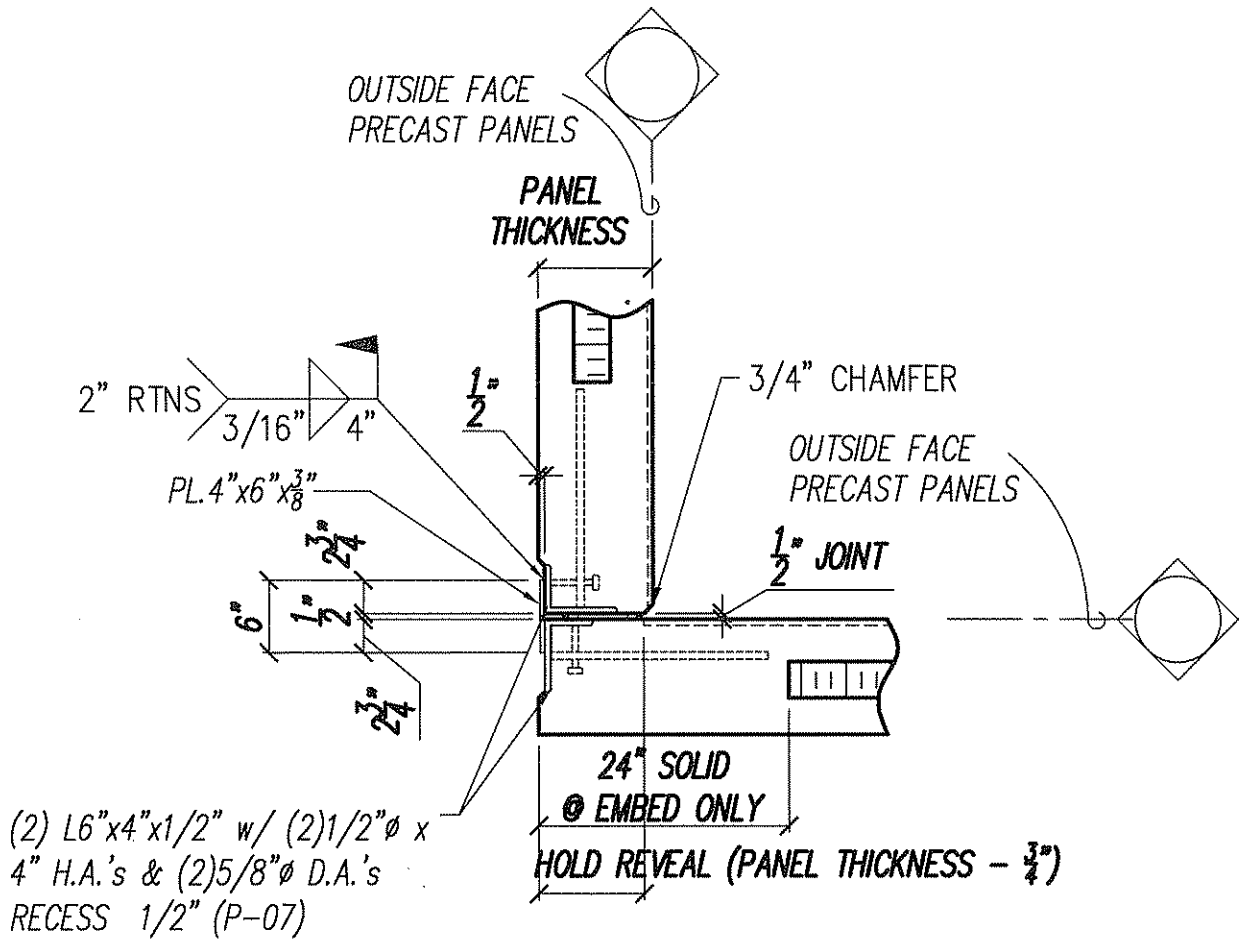
DETAIL NO.:
D50



ISSUED: 08/22/08 REVISED: 

STANDARD DESCRIPTION:
Outside Butt Corner Connection

DETAIL NO.:
D51



ISSUED: 08/22/08 REVISED:

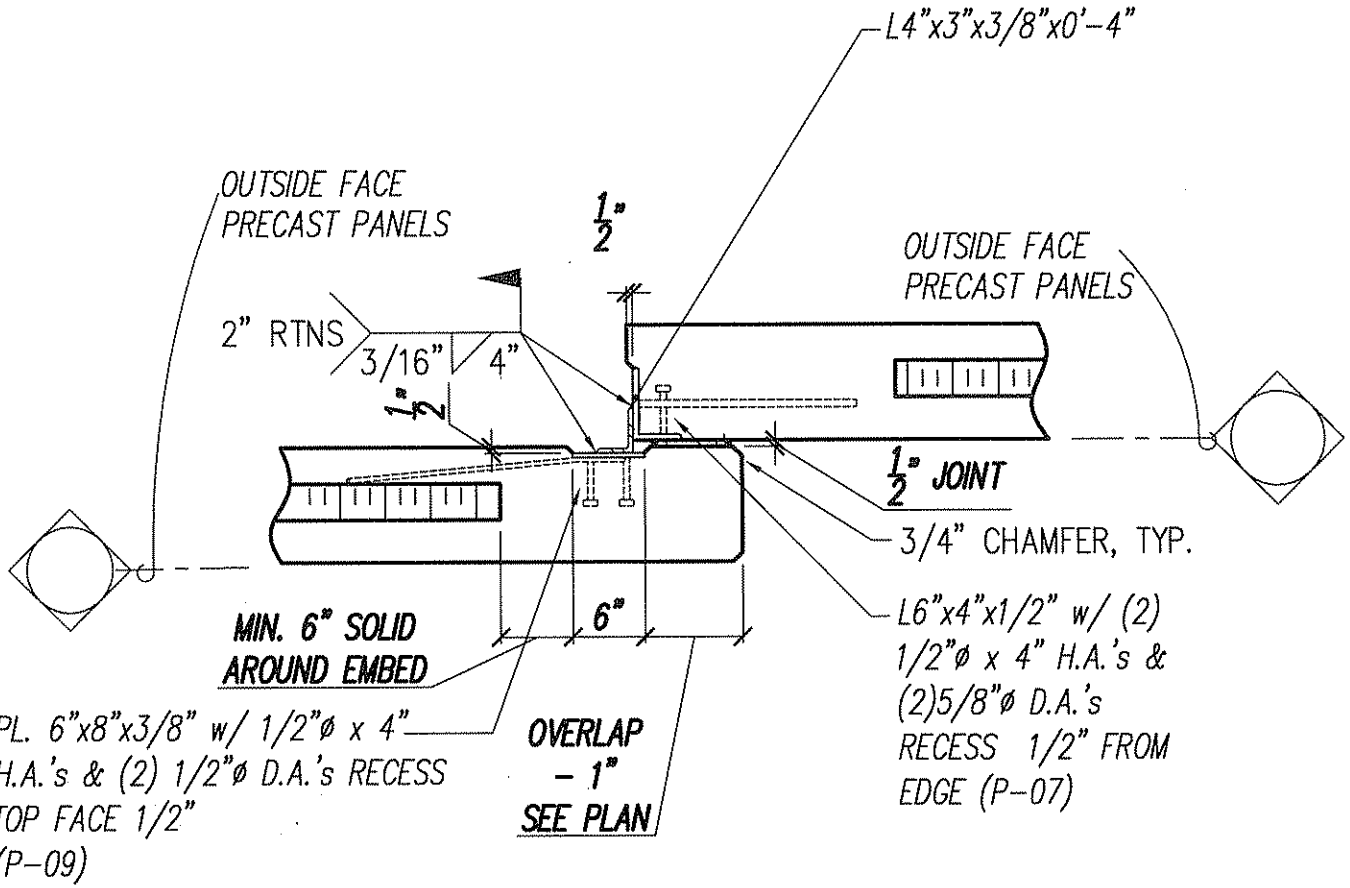


STANDARD DESCRIPTION:

Inside Butt Corner Connection

DETAIL NO.:

D52



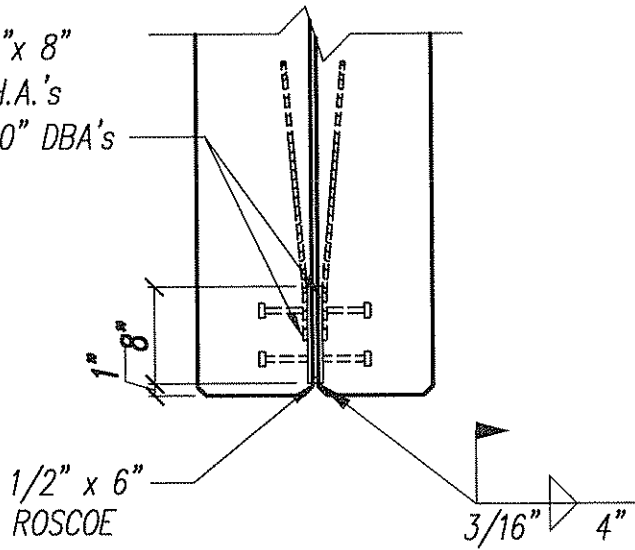
ISSUED: 08/22/08 REVISED: 

STANDARD DESCRIPTION:
Overlap Back to Back Corner Connection

DETAIL NO.:
D53

P-03D

- (1) PL. 5/8" x 8" x 8"
- (4) 1/2" ϕ x 4" H.A.'s
- (2) BENT #4 x 30" DBA's



ISSUED: 08/07/08 REVISED: 

STANDARD DESCRIPTION:
Hidden Panel to Panel Connection – Roscoe

DETAIL NO.:
D54