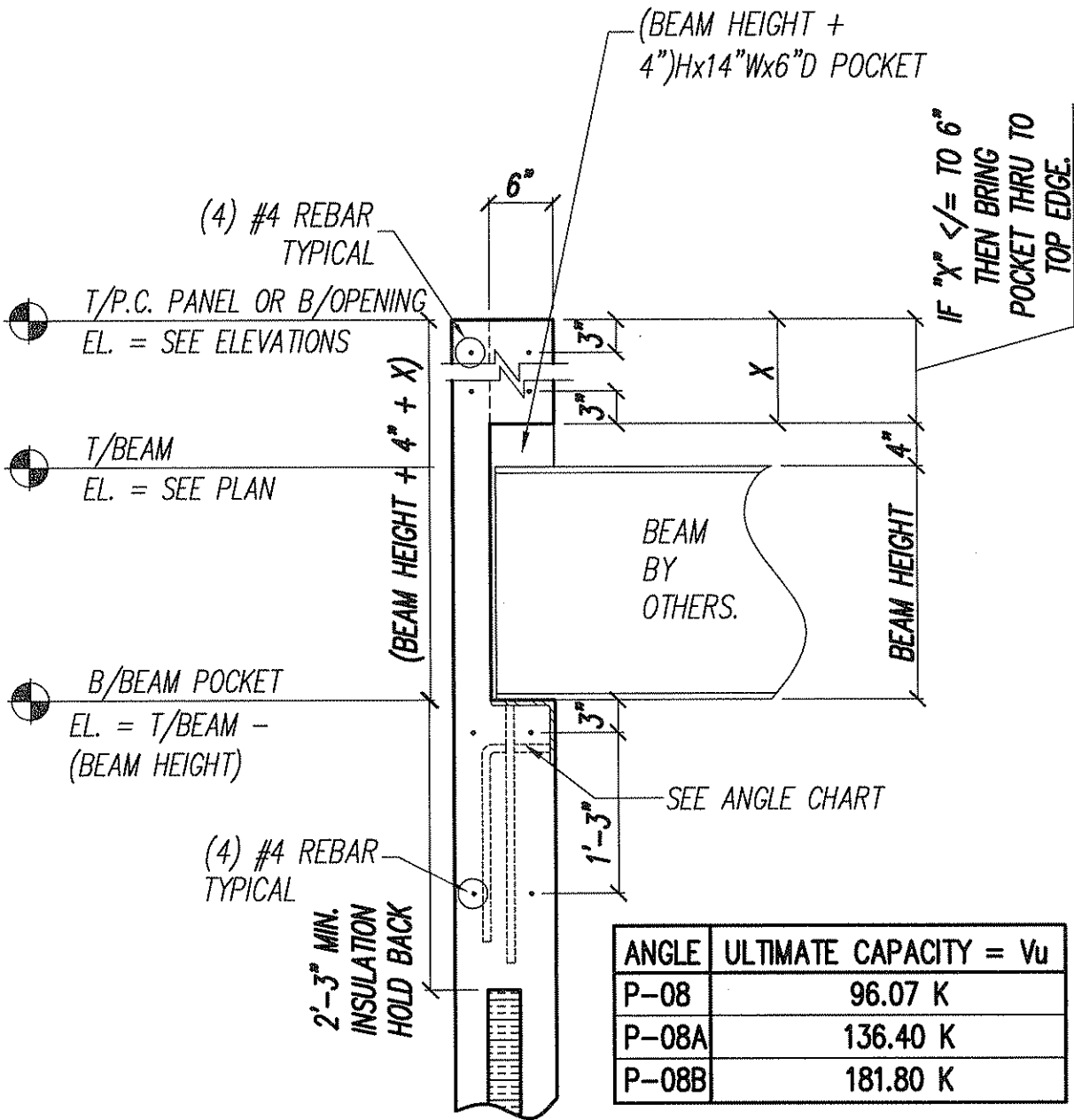


# ATMI PRECAST

## STANDARD DETAIL

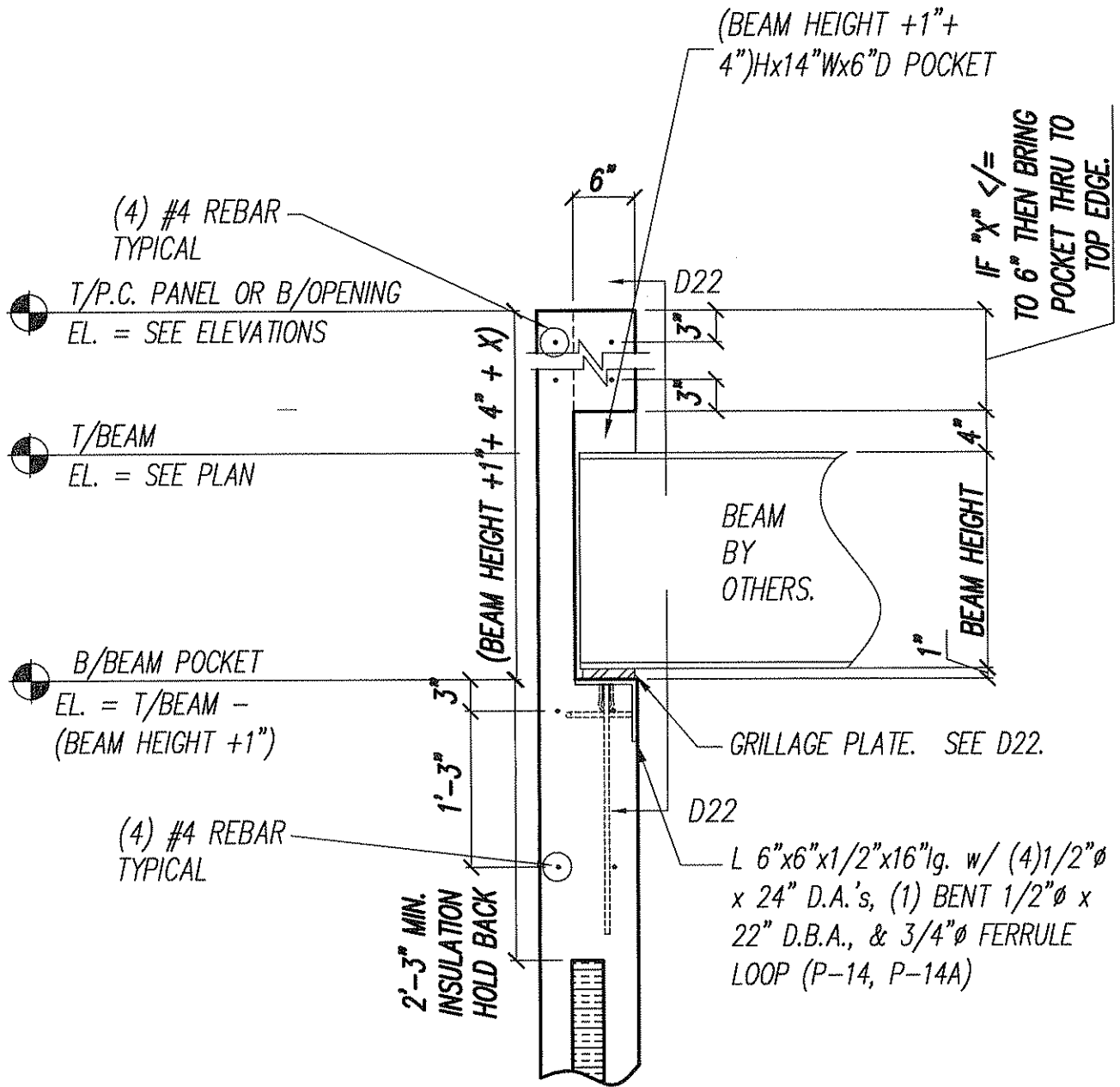


ISSUED: 08/07/08 REVISED:



STANDARD DESCRIPTION:  
*Beam Pocket*

DETAIL NO.:  
**D20**



ISSUED: 08/22/08 REVISED:

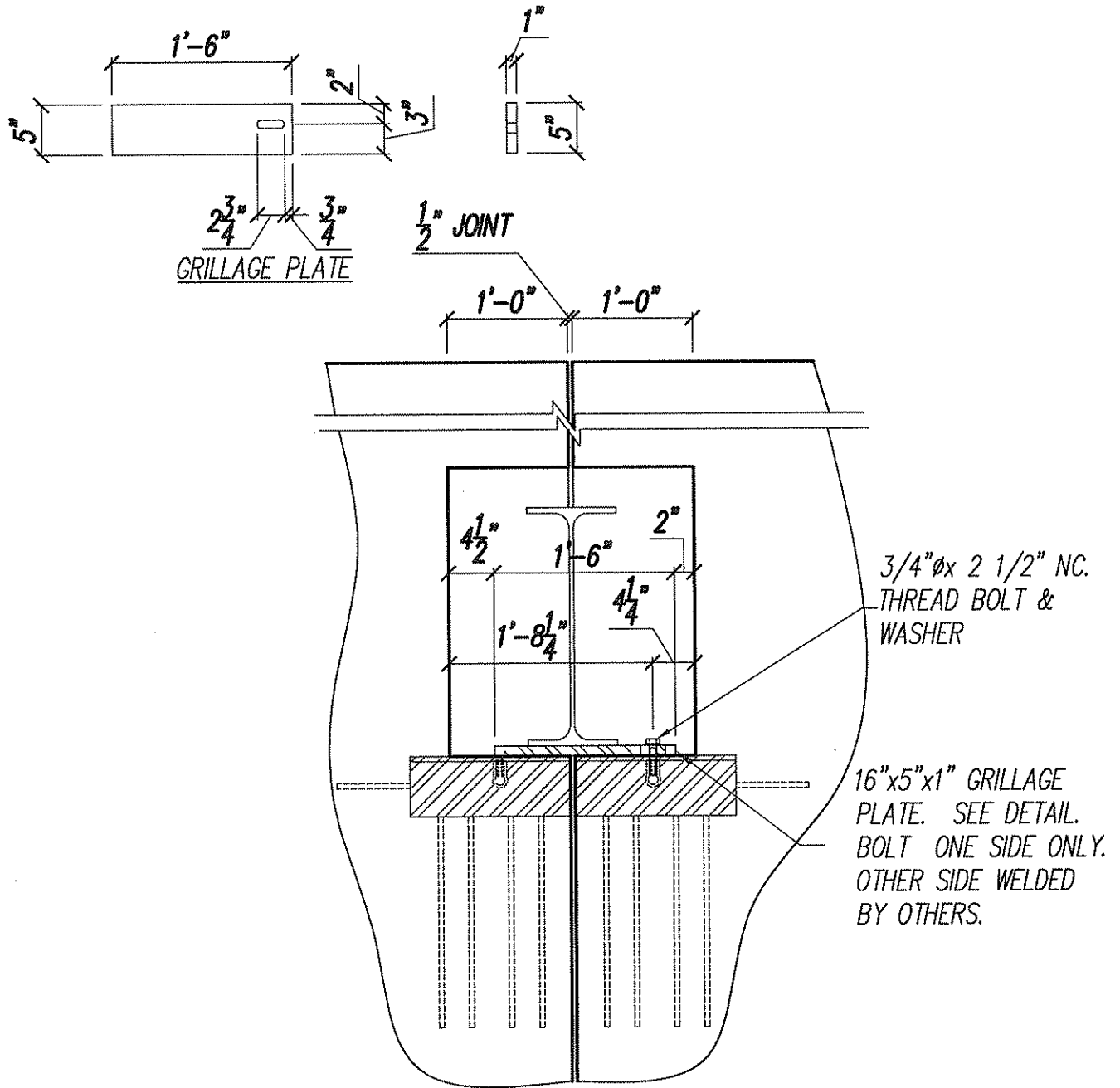


STANDARD DESCRIPTION:

Beam Pocket @Joint Section

DETAIL NO.:

D21



NOTE: SEE D21 FOR SECTION.

ISSUED: 08/07/08 REVISED:



STANDARD DESCRIPTION:

Beam Pocket @Joint Detail

DETAIL NO.:

D22

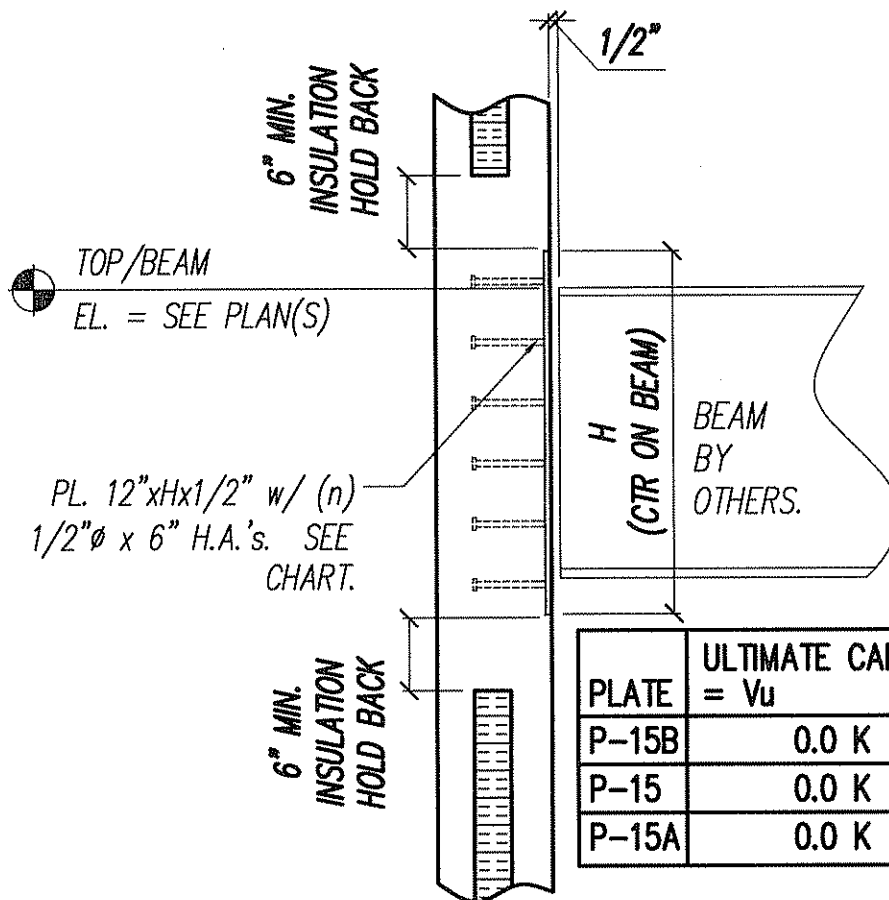


PLATE	ULTIMATE CAPACITY = $V_u$	HEIGHT = H	# OF HA's = n
P-15B	0.0 K	12"	6
P-15	0.0 K	24"	8
P-15A	0.0 K	36"	12

ISSUED: **08/07/08** REVISED:



STANDARD DESCRIPTION:  
*Beam Bearing Embed Plate*

DETAIL NO.:  
**D23**