

ISSUED: 08/07/08 REVISED:

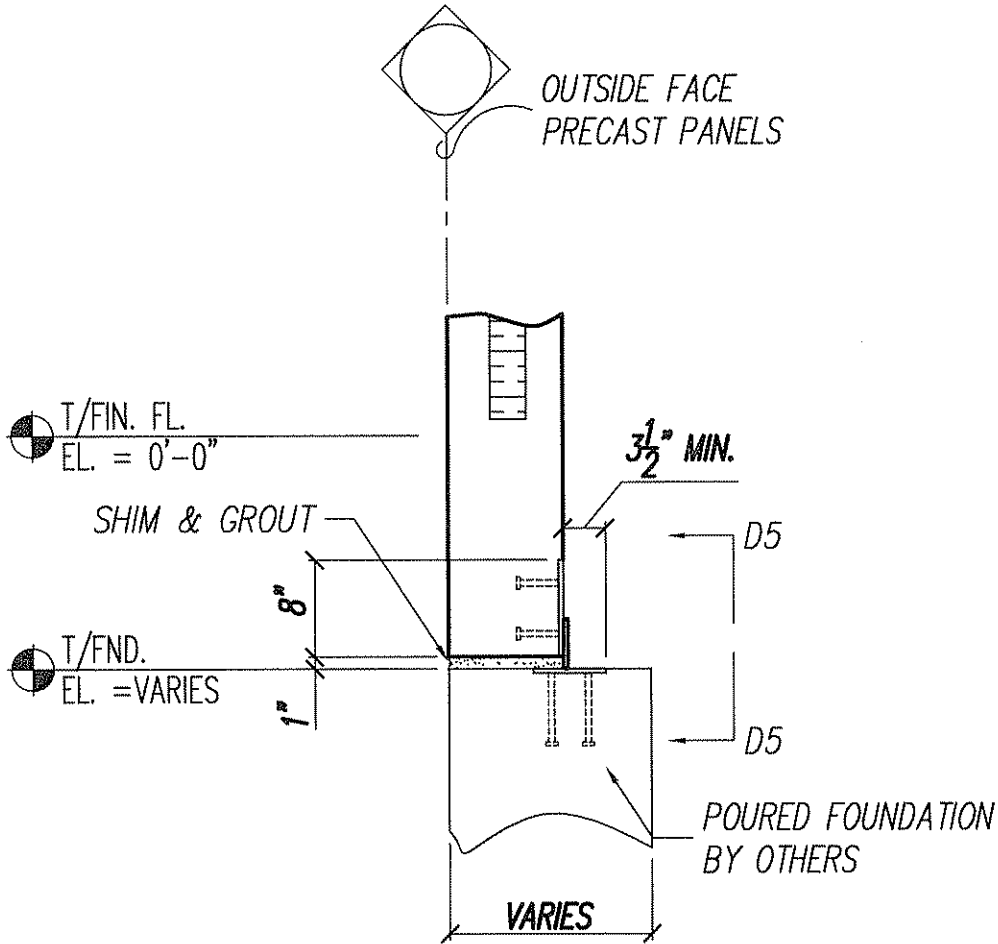


STANDARD DESCRIPTION:

Base Connection at Wide Foundation

DETAIL NO.:

D1



ISSUED: **08/07/08** REVISED:

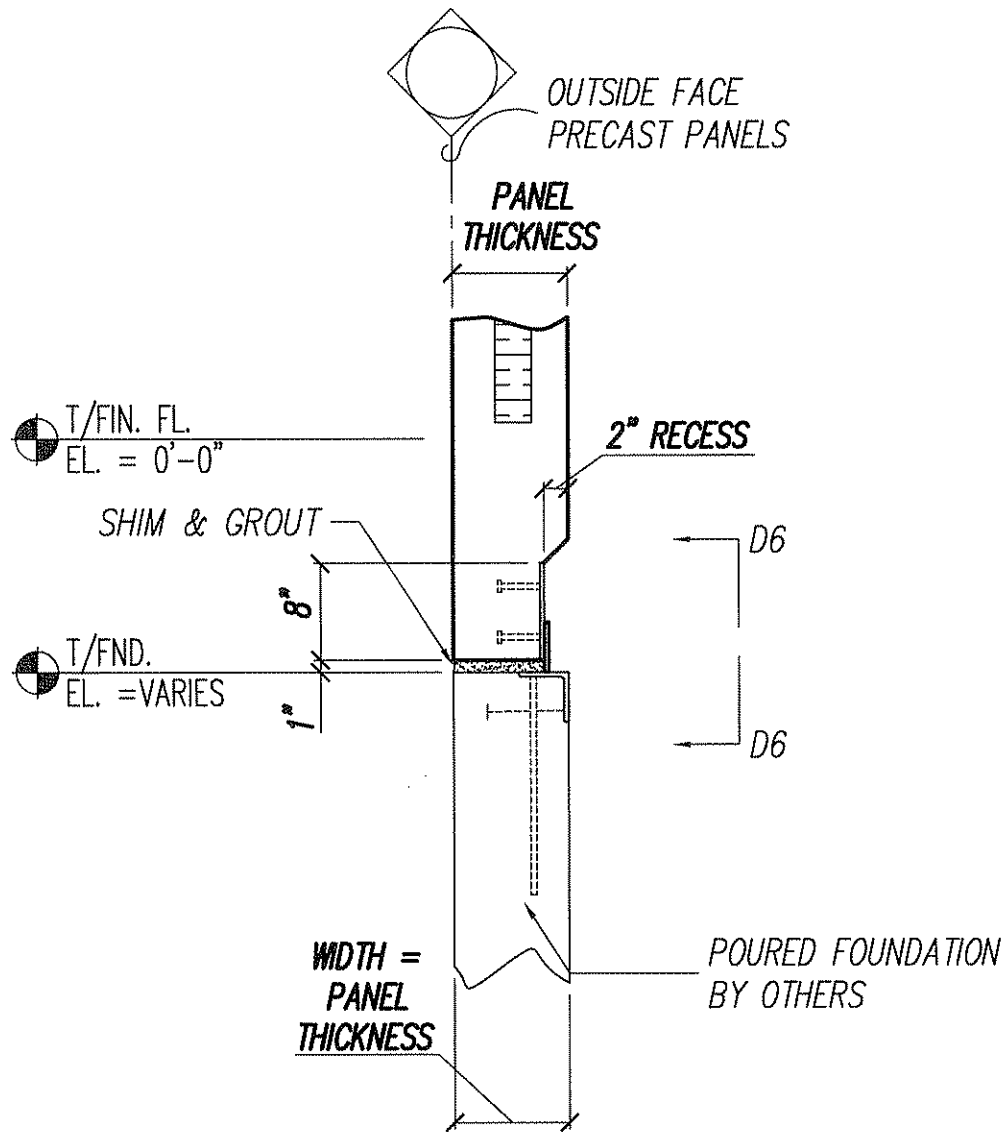


STANDARD DESCRIPTION:

Base Connection at Poured Wall

DETAIL NO.:

D2



ISSUED: **08/07/08** | REVISED: 

STANDARD DESCRIPTION:
Base Connection at Thin Poured Wall

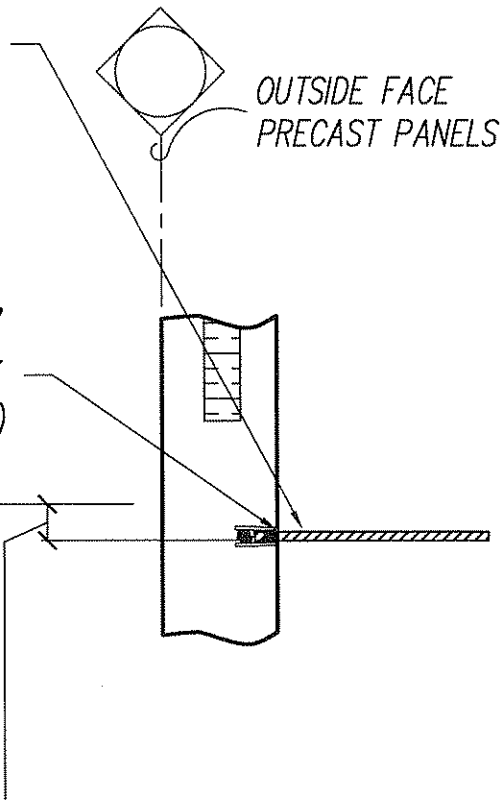
DETAIL NO.:
D3

3/4"x36" COIL ROD SUPPLIED
BY ATMI, INSTALLED BY
OTHERS

3/4" COIL INSERTS 4'-0"
O.C. MAX. (NOT @ DOCK
DOOR PANELS)

T/FIN. FL.
EL. = 0'-0"

1/2 (SLAB THICKNESS)



NOTES:

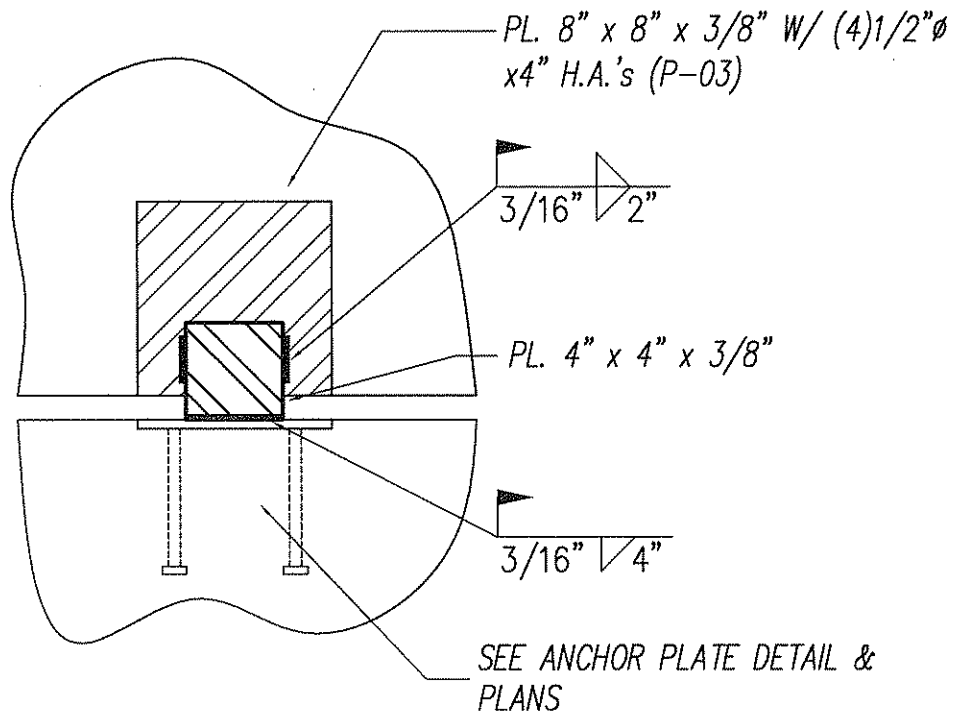
1. TYPICAL WHEN T/FOOTING IS LOWER THAN -4'-0" AND T/PANEL IS GREATER THAN +38'-0" AFF.
2. MAY REQUIRE SLAB REINFORCING BY OTHERS AT DISCRETION OF ENGINEER OF RECORD.

ISSUED: 08/07/08 REVISED:



STANDARD DESCRIPTION:
Floor Tie Detail

DETAIL NO.:
D4

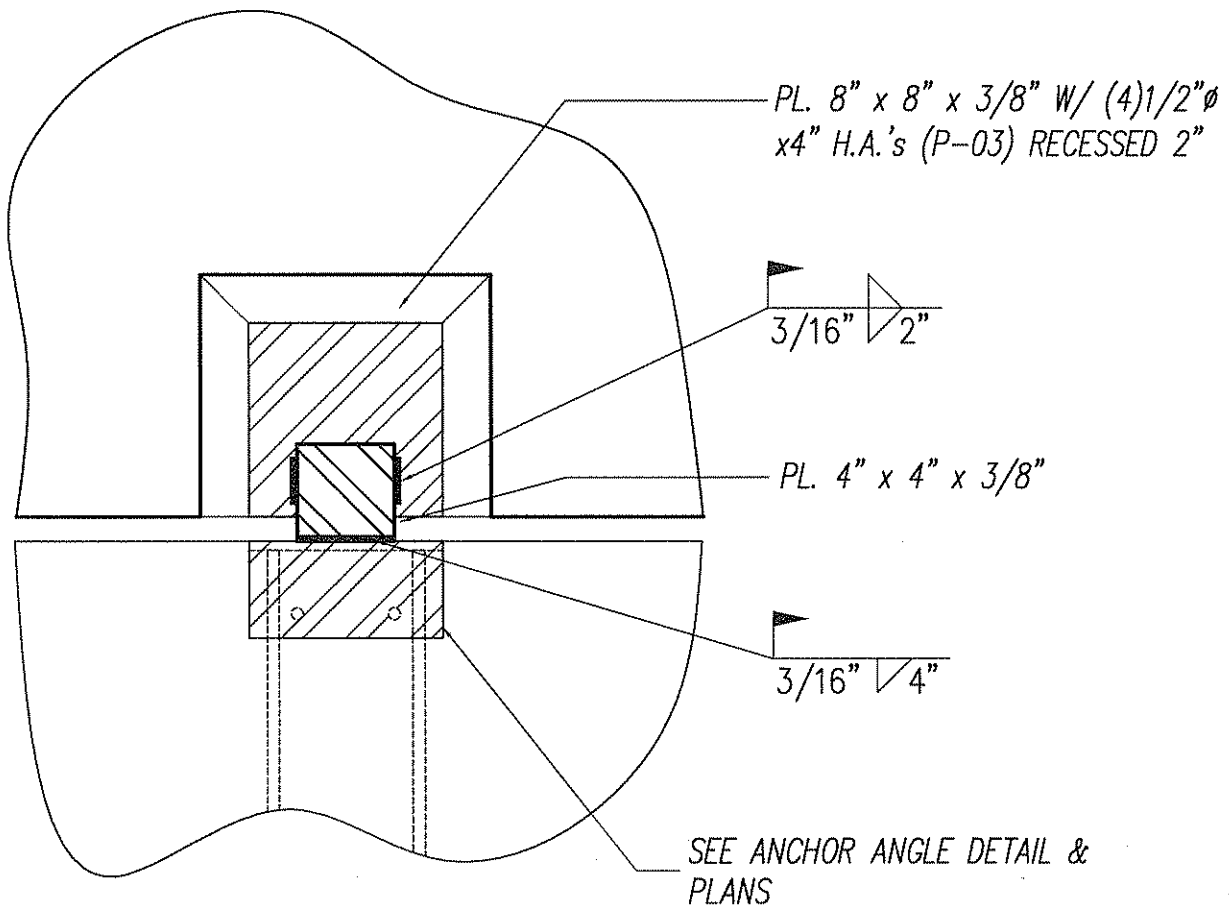



ISSUED: **08/07/08** | REVISED:



STANDARD DESCRIPTION:
Base Connection at Panel Face

DETAIL NO.:
D5



ISSUED: 08/07/08 REVISED: 

STANDARD DESCRIPTION:
Base Connection, Recessed

DETAIL NO.:
D6